

Technisches Datenblatt

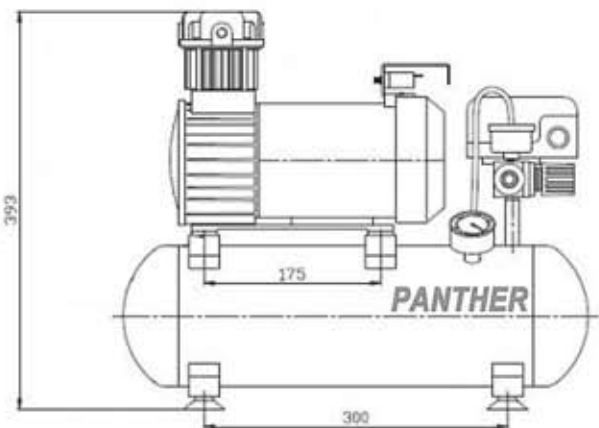
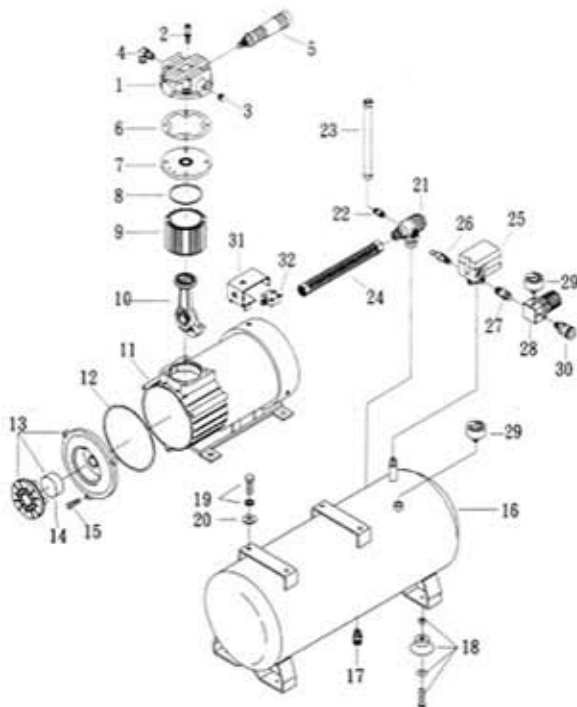
PANTHER-DC24-100-24

Technische Daten:

- Ansaugleistung 96 Liter/min
- Fördermenge 50 Liter/min (bei 5 Bar)
- Anschluss 12 Volt
- Motorleistung 560 Watt
- Leistung 116 psi / 8 bar (optional 145 psi / 10 bar)
- Behältervolumen 24 liter
- Gewicht 24 kg
- Schallemission 75 dB(A)/1m
- Anlaufschutz-Relais inklusive

Performance Test

Pressure Bar	Input Watt.	Current A	Speed RPM	Air flow L/min.	Noise dB
0	242	10.1	3620	93	73
2	394	16.4	3439	68	74
4	466	19.4	3340	51	75
6	538	22.4	3268	48	76
8	545	22.7	3258	40	77
10	506	21.1	3292	31	78



SPARE PARTS LIST

REF. NO.	DESCRIPTION	PART NO.	QTY.	REF. NO.	DESCRIPTION	PART NO.	QTY.
1	Cylinder head	31010968	1	17	Drain valve	2405012	1
2	Allen bolt set	3801-W06*080V	4	18	Rubber pad set	3433011-A	4
3	Plug	2814-ST02E	1	19	Hexagon bolt set	3800-FW08*015V	4
4	Exhaust elbow	2N06-02T038L	1	20	Body block	2439008	4
5	Grip	3432011	1	21	Check valve	2414036RX	1
6	Cylinder head gasket	2G01-0238	1	22	Nipple	2N01-01T02BS	1
7	Exhaust valve seat set	3811-A9000	1	23	Inloading tube set	382-02*240F	1
8	Valve seat gasket	2G03-017	1	24	Exhaust tube set	382-03*390	1
9	Cylinder	3201065	1	25	Pressure switch	2E21-023	1
10	Rod set	3834-WB57	1	26	Pressure relief valve	2406021CE	1
11	Motor set	388-DC0712V3	1	27	Nipple	2N01-058	1
12	Filter gasket	2G07-009	1	28	Regulator	2408068LNX	1
13	Air filter	2140022	1	29	Pressure gauge	2D12-15015KS	2
14	Filter element	2142014	1	30	Quick coupler	0751/4M-E	1
15	Bolt	2802-FW5*015	3	31	Bracket	3427075	1
16	Air tank	3401550	1	32	Quick coupler	2E25-50A	1

